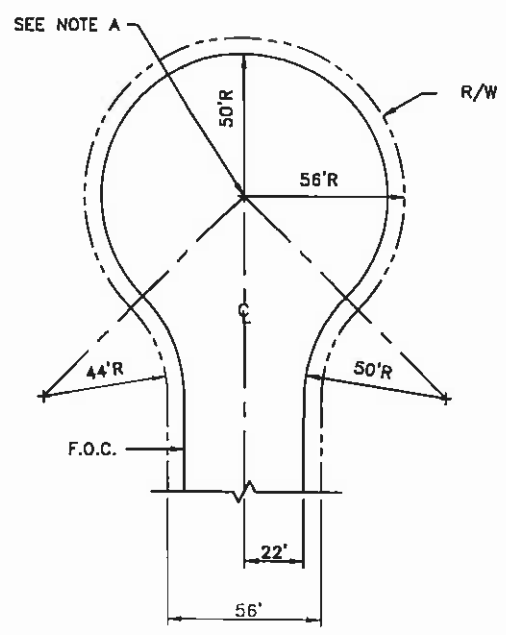
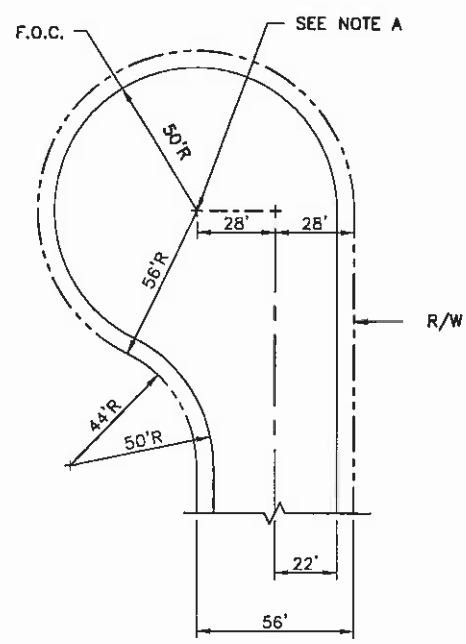


STANDARD EXPANDED CORNER



STANDARD CUL-DE-SAC




**STANDARD CUL-DE-SAC
(OFFSET)**

NOTES:

- A. CROWN TO BE 1.20 FEET ABOVE FLOW LINE OF GUTTER AT ITS HIGHEST POINT.
- B. ON EXPANDED CORNERS, CENTERLINE CROWN SHALL BE EQUALIZED BETWEEN LIPS OF CUTTER IN THE KNUCKLE.

THE CITY OF WEST SACRAMENTO - STANDARD DETAIL

APPROVED BY: 	C-38733	3/31/05
CITY ENGINEER	P.E. NO.	DATE
REVISION:		
REVISION:		
REVISION:		
REVISION:		

TITLE: **COMM/INDUST LOCAL
CUL-DE-SACS &
EXPANDED CORNER
SOUTHPORT**

**STANDARD
DETAIL #: 224**

