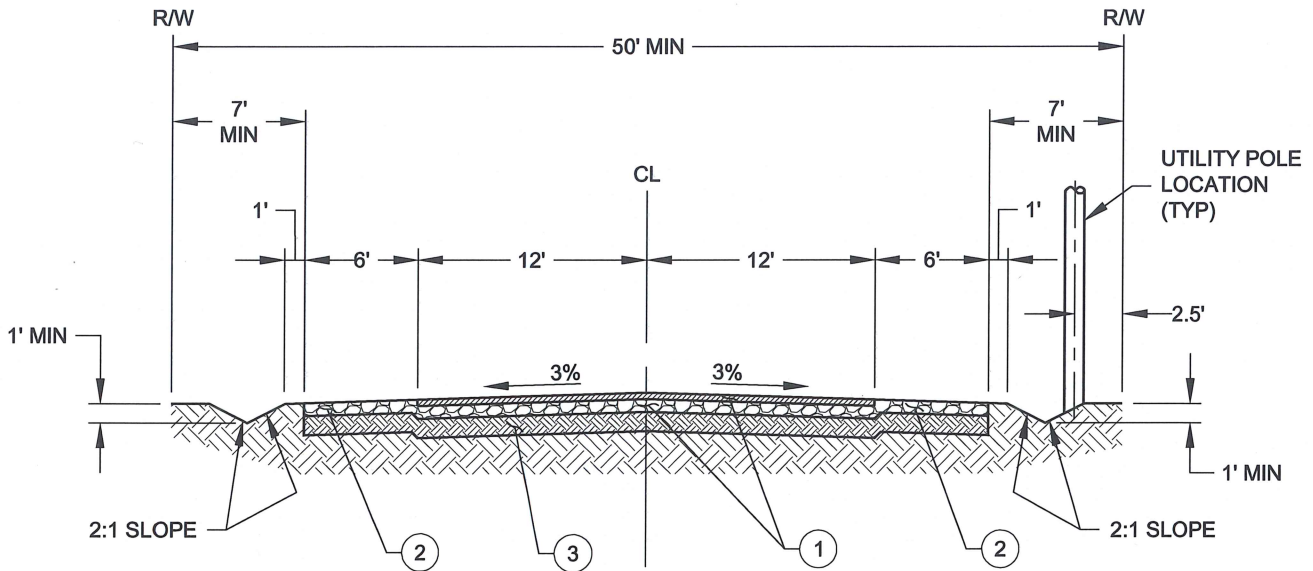


MINIMUM LOT SIZE = 1 ACRE



①	SECTION BASED ON STRUCTURAL DESIGN THROUGH A SOILS REPORT. SEE DIV. I SECTION 3.01 OF THESE STANDARD SPECIFICATIONS. MINIMUM TRAFFIC INDEX = 6.0. MINIMUM 2" AC OVER 4" AB PROCESSED TO 95% RELATIVE COMPACTION.
②	4" AB SHOULDERS PROCESSED TO 95% RELATIVE COMPACTION.
③	6" SUBGRADE PROCESSED TO 95% RELATIVE COMPACTION.

THE CITY OF WEST SACRAMENTO - STANDARD DETAIL



STANDARD
DETAIL #

228

TITLE:

RURAL ROAD SECTION



DATE APPROVED: 12/16/2015