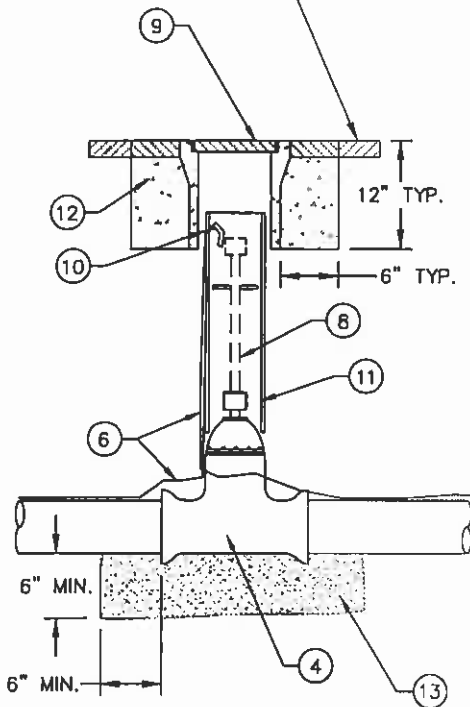


AC PAVING TO MATCH EXISTING THICKNESS (MIN. 3")



- ① FLANGED TEE (OR CROSS). POLYWRAP.
- ② THRUST BLOCK IF APPLICABLE.
- ③ FLANGED x MECHANICAL JOINT RESILIENT WEDGE GATE VALVES. POLYWRAP.
- ④ HUB & SPIGOT RESILIENT WEDGE GATE VALVE. POLYWRAP.
- ⑤ PROPOSED WATER MAIN.
- ⑥ TRACER WIRE SHALL BE REQUIRED ON ALL NONFERROUS MAINS. TRACER WIRE SHALL BE SOLID COPPER WIRE WITH U.S.E. RATED INSULATION, COLOR YELLOW AND MINIMUM SIZE OF AWG #10. SECURE WIRE TO TOP OF PIPE WITH 10 MIL WRAPPING TAPE AT LEAST EVERY TEN (10) FEET PER DIVISION IV SECTION 15.02C.
- ⑦ TRACER WIRES SHALL BE INTERCONNECTED AT PIPE TEES AND CROSSES. SPLICES SHALL BE "KURNEY" (SPLIT BOLT) OR "KUPLETAP". INSTALLATION TAPE SHALL BE VINYL, ELECTRICAL WITH TWO COATS OF "SCOTCH KOTE".
- ⑧ PROVIDE EXTENSION IF OPERATING NUT EXCEEDS MAXIMUM OF FOUR (4) FEET FROM FINISH GRADE. EXTENSION SHALL INCLUDE A STEADYING PLATE.
- ⑨ CHRISTY TYPE G-5 TRAFFIC BOX. LID SHALL READ "WATER".
- ⑩ PROVIDE NOTCH IN RISER FOR TRACER WIRE.
- ⑪ 8" PVC RISER TO BE PLUMB WITHIN 1 INCH.
- ⑫ CONCRETE COLLAR WITH 2" AC.
- ⑬ 3/4" CRUSHED ROCK BEDDING.

**NOTES:**

- A. ALL NUTS, BOLTS, AND WASHERS ON FITTINGS SHALL BE STAINLESS STEEL TYPE 304.
- B. CONCRETE SHALL BE CLASS "A".

THE CITY OF WEST SACRAMENTO - STANDARD DETAIL

APPROVED BY:  CITY ENGINEER  
 G-38233 P.E. NO. 3/31/05 DATE

REVISION:	
REVISION:	
REVISION:	
REVISION:	

TITLE: TYPICAL VALVE AND WATER MAIN INSTALLATION  
 6" THRU 10"

STANDARD DETAIL #: 513

